



## INSTALLATION AND OPERATING INSTRUCTIONS

### MC TR 1PF

#### MC TR 1PF



This manual is suitable for the following products:

- MC TR 1PF (01054720)

Documentnumber: 85202521 E1

Isolation relay for isolating devices connected to the same potential.

Read the manual before starting the installation.  
Failure to follow the instructions may result in defects that are not covered by the warranty. Errors and technical changes excepted.



Manual EN



Manual NL

## CONTENT

■ Safety instructions	2
■ Technical data	3
■ Wiring Diagram	4

## SAFETY INSTRUCTIONS

### GENERAL SAFETY INFORMATION

These safety instructions are an integral part of the product and must be read and fully understood before installation, electrical connection, commissioning and operation.

- The MC TR 1 PF is an isolation relay used for potential separation between potential-bound control devices.
- The device may only be used for its intended purpose as described in this documentation.
- Installation, electrical connection and commissioning may only be carried out by a qualified electrician.
- The device must be checked for visible damage before installation. Damaged devices must not be put into operation.
- Any modification or alteration of the device is prohibited and will void all warranty and liability claims.
- The operator must ensure that these safety instructions are available to all users of the device.

### CRITICAL SAFETY WARNINGS



#### ELECTRICAL HAZARDS

**DANGER** – Risk of fatal electric shock.

Disconnect the mains voltage completely before installation and before working on the device.



#### NOTE

The complete safety instructions can be found at: [www.vestamatic.com/safety](http://www.vestamatic.com/safety)



SCAN ME




## SUPPORT/KONTAKT

Vestamatic International GmbH  
Am Tannenbaum 2 | 41066 Mönchengladbach  
E-Mail: [info@vestamatic.com](mailto:info@vestamatic.com)

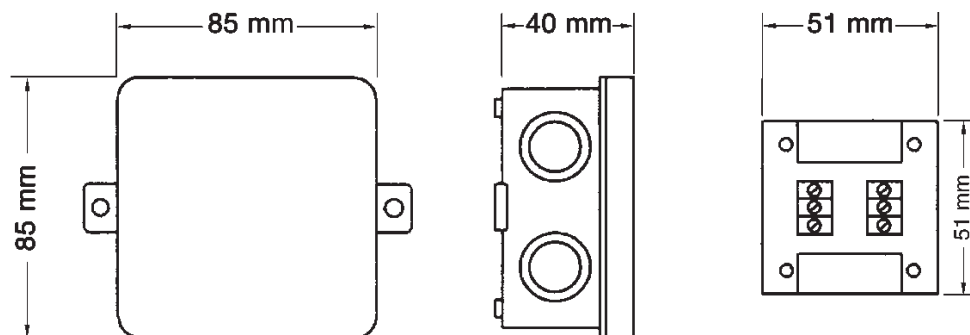
## TECHNICAL DATA

### SHORT DESCRIPTION

- Isolation relay for electrical isolation between devices connected to the same potential
- Splash-proof junction box
- Can be installed in a 55 mm flush-mounted box with a deep terminal compartment

PARAMETER	VALUE
Control voltage	230VAC, 50 Hz
Impulse voltage withstand level	2,5 kV
Rated power	< 1 W
Output	Potential-free
Maximum load:	250VAC, 4A, $\cos \varphi \geq 0,8$ ind. 30VDC, 5A
Operating temperature	0 °C (32 °F) to +40 °C (104 °F)
IP class	IP 54
Degree of pollution	2
Dimensions (L × W × H)	85 × 85 × 40 mm (without mounting brackets)
Conformität	

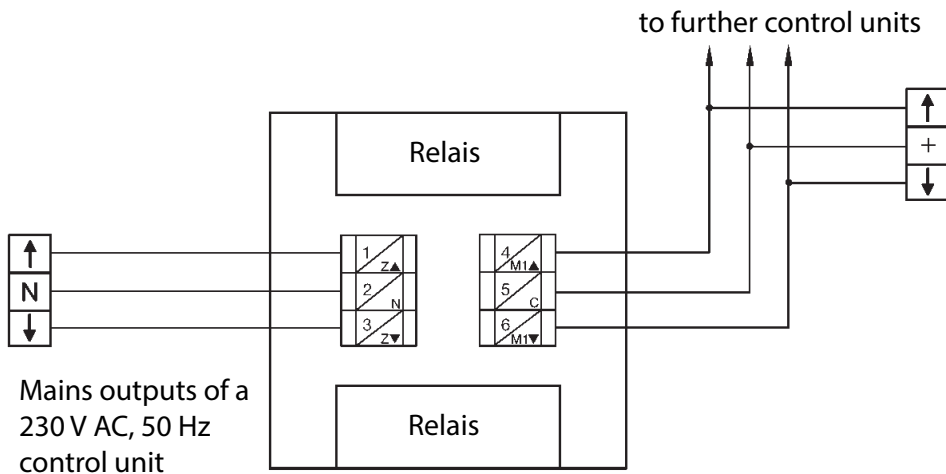
### DIMENSIONS



#### NOTE

The isolating relay generates a dry contact output via its internal relay contacts in response to a 230 VAC, 50 Hz control signal from a control unit.

# WIRING DIAGRAM



## INTERNAL CIRCUIT DIAGRAM

