



INSTALLATION AND OPERATING INSTRUCTIONS

MC TR +/-

MC TR +/-



This manual is suitable for the following products:

- MC TR +/- (01054820)

Documentnumber: 85201321 E1

Isolating relay for
controlling one or more
DC drives.

Read the manual before starting the installation.
Failure to follow the instructions may result in defects that are not
covered by the warranty. Errors and technical changes excepted.



CONTENT

■ Safety instructions	2
■ Technical data	3
■ Wiring Diagram	4

SAFETY INSTRUCTIONS

GENERAL SAFETY INFORMATION

These safety instructions are an integral part of the product and must be read and fully understood before installation, electrical connection, commissioning and operation.

- The MC TR +/- is an isolation relay used to control one or more DC drives whose direction of rotation is controlled by polarity reversal.
- The device may only be used for its intended purpose as described in this documentation.
- Installation, electrical connection and commissioning may only be carried out by a qualified electrician.
- The device must be checked for visible damage before installation. Damaged devices must not be put into operation.
- Any modification or alteration of the device is prohibited and will void all warranty and liability claims.
- The operator must ensure that these safety instructions are made available to all subsequent users.

CRITICAL SAFETY WARNINGS



ELECTRICAL HAZARDS

DANGER – Risk of fatal electric shock.

Disconnect the mains voltage completely before installation and before working on the device.



HAZARDS FROM MOVING SUN SHADING SYSTEMS | WARNING

Risk of injury due to crushing, shear points or uncontrolled movement.



NOTE

The complete safety instructions can be found at: www.vestamatic.com/safety



SCAN ME




SUPPORT/CONTACT

Vestamatic International GmbH
 Am Tannenbaum 2 | 41066 Mönchengladbach
 E-Mail: info@vestamatic.com

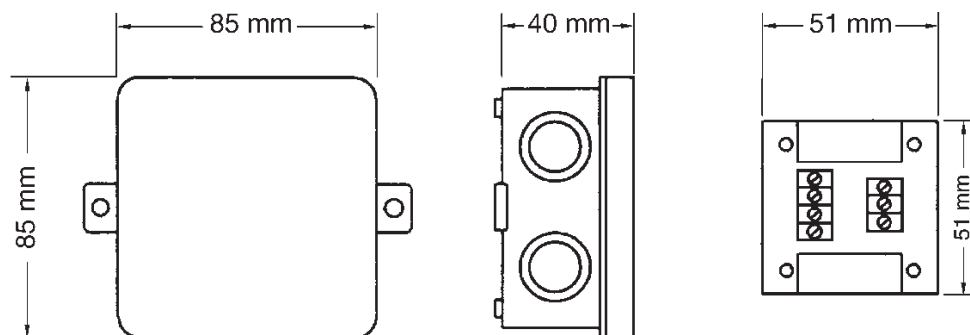
TECHNICAL DATA

SHORT DESCRIPTION

- Relay for controlling one or more DC drives
- Drives controlled by reversing polarity in the direction of travel via a changeover switch
- Splash-proof junction box
- Installation in a 55 mm flush-mounted box with deep terminal space possible

PARAMETER	VALUE
Control voltage	230VAC, 50 Hz
Impulse voltage withstand level	2,5 kV
Rated power	< 1 W
Output Maximum load:	30VDC, 5A
Operating temperature	0 °C (32 °F) to +40 °C (104 °F)
IP class	IP 54
Degree of pollution	2
Dimensions (L × W × H)	85 × 85 × 40 mm (without mounting brackets)
Conformität	

DIMENSIONS

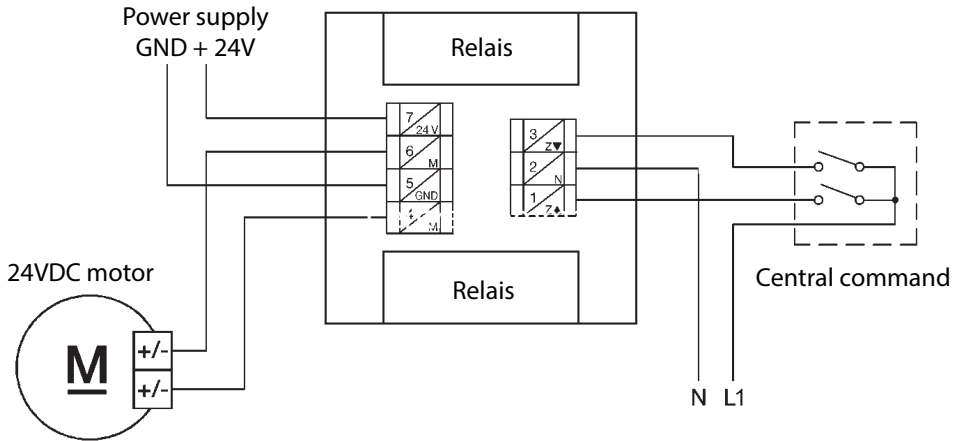


NOTE

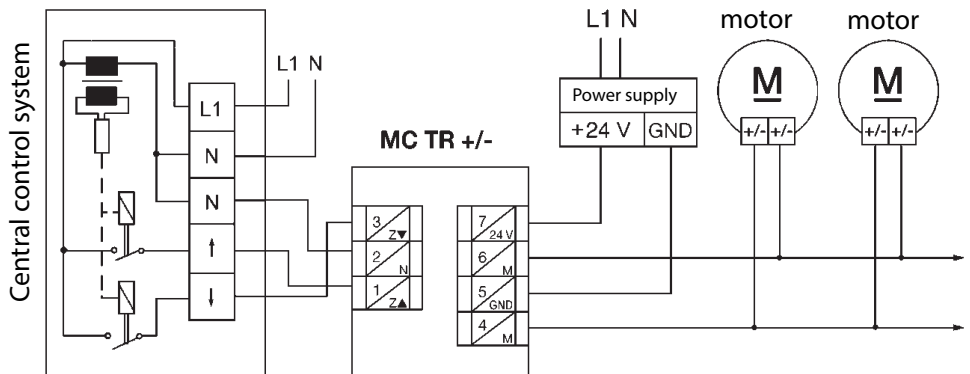
Individual operation of the drives is not possible.

All devices with 230 VAC output are suitable as control units.

WIRING DIAGRAM



CONNECTING SEVERAL MOTORS IN PARALLEL



INTERNAL CIRCUIT DIAGRAM

