



INSTALLATION AND OPERATING INSTRUCTIONS LS 30 PRO

LS 30 PRO



This manual is suitable for the following products:

- LS 30 Pro (01161210)

Documentnumber: 84304101 B1

Professional sensor
devices for buildings.



Read the manual before starting the installation.
Failure to follow the instructions may result in defects that are not
covered by the warranty. Errors and technical changes excepted.



CONTENT

■ Safety instructions	2
■ Technical Data	3
■ Assembly and installation	3

SAFETY INSTRUCTIONS

GENERAL SAFETY INFORMATION

These safety instructions are an integral part of the product and must be read and understood completely before installation, electrical connection, commissioning and operation.

- The LS 30 lux sensor is intended exclusively for its intended use: measuring daylight intensity for controlling sun shading systems only in combination with Vestamatic control units.
- Installation, connection and commissioning may only be carried out by a qualified electrician.
- All applicable laws, standards and regulations must be observed, in particular DIN VDE 0100/0700, local utility regulations and accident prevention regulations.
- The sensor must be checked for damage before installation. If damage is detected, the device must not be put into operation.
- Any modification or alteration of the device is prohibited and will result in the loss of warranty and liability claims.
- The operator must ensure that these safety instructions are made available to all subsequent users.

CRITICAL SAFETY WARNINGS



ELECTRICAL HAZARDS

WARNING – Even low-voltage circuits can pose a hazard in the event of improper connection or damaged cables.

Disconnect the mains voltage completely before installation and before working on the device.



HAZARDS DUE TO UNINTENDED SHADING MOVEMENTS – WARNING

– Risk of injury due to unintended movement of connected shading systems.



NOTE

The complete safety instructions can be found at: www.vestamatic.com/safety



SCAN ME

SUPPORT/CONTACT

Vestamatic International GmbH
 Am Tannenbaum 2 | 41066 Mönchengladbach
 E-Mail: info@vestamatic.com

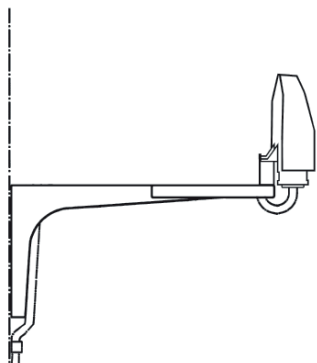
TECHNICAL DATA

SHORT DESCRIPTION

- Lux sensor for measuring daylight intensity
- Suited for outdoor installation
- Sunlight detection angle of approx. 120°

PARAMETER	VALUE
Power supply	5VDC
Current input	0,5 – 4,5 mA
IP class	IP 54
Maximum wire length: (Lux sensor > Control unit)	100 m
Operating temperature	-15°C bis +45°C
Wiring cable	5 m long, LIYY 2 × 0.34 mm ² , white
Dimensions (L × W × H)	85 × 27.5 × 27.5 mm
Conformity	CE

MONTAGE / INSTALLATION



For the installation, we recommend our aluminium mounting bracket, article-no. 01100510 or that for wind and lux sensor article-no. 01271020.

NOTES FOR PROFESSIONAL ELECTRICIANS

- 1. Switch off the control power supply.
- 2. Mount Lux sensor in a suitable position.
- 3. Connect the power supply wires in accordance with the wiring diagram.
- 4. Switch on the control power supply.
- 5. Check the sensor function.

BREL Vestamatic
G R O U P

Vestamatic International GmbH
Am Tannenbaum 2
41066 Mönchengladbach | Germany
E-Mail: info@vestamatic.com
www.vestamatic.com